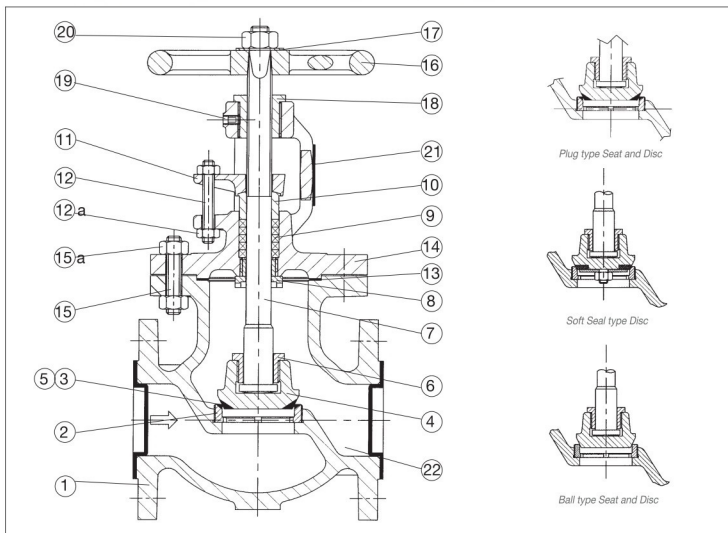


## ANSI standard

## RAVNI ZAPORNI VENTILI / GLOBE VALVES



Part No	Part Name	Standard Material
1	Body	Cast Steel A216 Gr. WCB
2	Body Ring	2" - 6" alloy steel CA15, 8" and above A105
3	Body Ring Seat Face	Stainless Steel 13 Cr.
4	Disc	Cast Steel A216 Gr. WCB
5	Disc Seat Face	Stainless Steel 13 Cr.
6	Disc Nut	Carbon Steel A307 Gr. B
7	Stem	Stainless Steel AISI 410 - AISI 420
8	Back Seat Ring	Stainless Steel AISI 410 - AISI 420
9	Packing	Graphite
10	Gland	Stainless Steel AISI 410 - AISI 420
11	Gland Flange	Cast Steel A216 Gr. WCB
12	Gland Bolt	Alloy Steel A193 Gr. B7
12a	Gland Bolt Nut	Carbon Steel A194 Gr. 2H
13	Gasket	SWG AISI 304 or 316
14	Bonnet	Cast Steel A216 Gr. WCB
15	Bonnet Stud Bolt	Alloy Steel A193 Gr. B7
15a	Bonnet Stud Bolt	Carbon Steel A194 Gr. 2H
16	Handwheel	Ductile Iron A536
17	Washer	Carbon Steel A105
18	Stem Bushing	Bronze B62
19	Setscrew	Steel A307 Gr. B
20	Handwheel Nut	Steel A307 Gr. B
21	Name Plate	Aluminium
22	End Cover	Plastic or Wooden